

CHUCK WAGONTM

Mobile Grilling Systems



MODEL **SS16**

Perfect for:

- Tailgating
- Customer Appreciation
- Field Lunches
- Catering
- Community Events
- Block Parties
- Family Reunions

Your Portable Mobile Grilling System for Work or Play

**Park-&-Grill
in under
2 minutes**

- Quickly installs into popular **Full Sized Short Box** truck beds.
- In 2 Minutes, **Raise the Roof**, Glide out the unit, Begin grilling.
- **All Aluminum Body** never rusts or chips
- Includes Premium 40" **Five-Burner Grill** with rotisserie & warming rack.
- Fold Out Side Trays and Grill Face Cover with utensil hangers.
- Recessed Pockets for up to **4 Party Stacker Coleman Coolers**, (two per side.)
- Storage for **Two 20 lb. LP Tanks**.
- Mount included for your **32" Flat Screen TV**.
- Large **Covered Storage Compartment**,

There's More.....

www.BuyChuckWagon.com

Space Saving Storage System.
 Tilt-Up and roll to your garage wall.
Four Storage Wheels when Vertical.
 Allows quick and easy floor manipulation.



Quick Install, Just roll it in.
Storage Leg Caster Wheels
 Provide easy floor movement to and from tailgate.



Hard Top Aluminum Canopy
 with Twin Electric Actuator Operation.

Canopy serves as an attractive and secure box cover during transport. Auto-Adjusts for varying bed heights.

If your Tail Gate Locks, your ChuckWagon SS16 is Locked.

PLUS: Aluminum Receiver Hitch Carry All for your Portable Generator and Extra Supplies.



| Specifications | | | | | |
|---|---------|----------|--------|------------------------|--|
| Model | Item | Qty Each | Weight | Description | |
| ChuckWagon SS16 | CLP3000 | 1 | 500 | 48.875" W x 64.75 L | |
| Components | | | | | |
| Summerset Grill, 40", 5 burner, rotisserie & warming rack | PUR2710 | 1 | 130 | Premium Large Grill | |
| Coleman 24 Can Stackable Cooler for drinks, meat, snacks | PUR2713 | 4 | 16 | Space for two per side | |
| LP Bottle (empty) (2 per unit) | PUR2712 | 2 | 30 | Standard 20 lb. | |
| Aluminum Carry All (Fits 2" receiver hitch) | CLP2016 | 1 | 15 | 50.5" x 14.2" | |



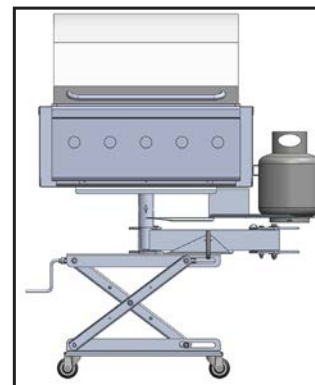
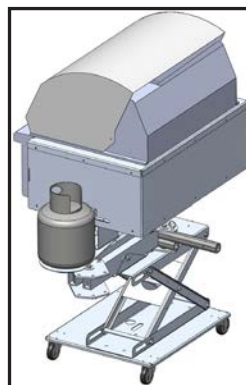
Model SS16
 Product Features

Watch The Videos



Park & Grill
 in Under 2 Minutes

No Truck? No Problem...Receiver Hitch models coming soon.



CLUB LEVEL PARTY PRODUCTS

1701 38th Ave. W. • Spencer, IA 51301

Phone: 712-262-4191 • Fax: 712-262-2154 • E-mail: Info@SimonsenIron.com
 www.SimonsenIron.com

Design specifications and features as described are subject to change without notice. Simonsen Iron Works is a registered trademark of Thurston Manufacturing Company, Thurston NE.

Copyright 2016 Thurston Manufacturing Company

Form No. 9-27-16SIW

[fb.com/ChuckWagonMGS.com](https://www.facebook.com/ChuckWagonMGS.com)

Club Level Party Products™

Manufactured by: SIMONSEN IRON

1701 38th Ave West, Spencer, IA 51351

Product Pricing WorkSheet 09/25/16

712-262-4191

www.ChuckWagon.biz

| Item | TruckBed Model | List Price | Qty | Total |
|------------------|--|------------|-----|----------|
| CLP3000 | CHUCK WAGON™ SS16 , Aluminum Includes (*1 Grill, 4 Coolers, 2 LP Bottles, Powered Roof Lift, Battery Pack, Receiver Hitch Tray, TV Quick Mount Brkt, Leg Kit and Nose Roll Storage Components. | \$ 7,750 | 1 | \$ 7,750 |
| Weight (lb) | 500 | | | |
| Ship Weight (lb) | 650 | | | |
| PUR2710 | * Five Burner Summerset Grill w/ rotisserie, top rack & cover. 1 Grill Included in Above Price | \$ 2,120 | 0 | \$ - |
| Weight (lb) | 180 | | | |
| PUR2713 | * Coleman 24 Can Stackable Cooler (2 per side) 4 Coolers (\$120) Included in Above Price | \$ 30 | 0 | \$ - |
| Weight (lb) | 4 | | | |
| PUR2712 | * LP Bottle (empty) (2 per unit) 2 Tanks (\$80) Included in Above Price | \$ 40 | 0 | \$ - |
| Weight (lb) | 15 | | | |
| CLP2016 | * Aluminum Tray Assy (Fits 2" receiver hitch) 1 Tray (\$180) Included in Above Price | \$ 180 | 0 | \$ - |
| Weight (lb) | 15 | | | |
| CLP | Custom Color Striping - Nearest Team Color | \$ 75 | 0 | \$ - |
| CLP2007 | TV Sun / Rain Guard - 1 Guard and Storage Bag. Not included in above price. TV not included. | \$ 325 | 0 | \$ - |
| Weight (lb) | 8 | | | |
| CLP2017 | Heavy Duty Weather Guard Snap-On Curtain Kit, Not included in above price. | \$ 350 | 0 | \$ - |
| Weight (lb) | 8 | | | |
| CLP2010 | Aluminum Satellite Mount, Riser & Receiver Shelf fits King Tailgater (not included). | \$ 155 | 1 | \$ - |
| Weight (lb) | 7 | | | |

FEATURE DETAILS INCLUDED IN CLP3000

ADDITIONAL OPTIONS

QUOTE SHEET - PRODUCT AND OPTION COMMENTS

ChuckWagon Sales Contact

Product(s): CLP3000
 If ordered by 12-31, Free King Tailgater package
 Hitch Option(s): _____
 Other Item(s) _____

Contact Person: Ryan Jensen
 Phone Number: 402-922-1064
 Email Address: rjensen@simonseniron.com
 Fax Number: 712-262-2154

| | | | |
|-------------------|-----------|--|---------------------|
| Quote Date* | Fall 2016 | List Price Total | \$ 7,750.00 |
| Sales Rep | _____ | Promo Discount % | King |
| Type of Sale | Direct | Net After Order Discount | \$ 7,750.00 |
| Bill to Name: | _____ | Sub Total | \$ 7,750.00 |
| Address: | _____ | Sales Tax | Sales Tax % 0% \$ - |
| City/St/Zip: | _____ | (if Applicable) Total Shipping Weight | 657 \$ - |
| Phone: | _____ | Freight and Handling | \$ - |
| Fax: | _____ | Total | \$ 7,750.00 |
| Email: | _____ | Taxes and freight apply based on ship to address and will be added to final price. | |
| Ship to Name: | _____ | Requested Delivery Date | |
| Address: | _____ | Purchase Order # | |
| Address: | _____ | | |
| City/State - Zip: | _____ | | |
| Shipping Type | _____ | | |

*Quotes are valid for 30 days. Prices and designs are subject to change without notice. Please assign a purchase order number, sign, and return by email to sales@simonseniron.com or by faxing 712.262.2154 to for confirmation. www.ChuckWagon.biz